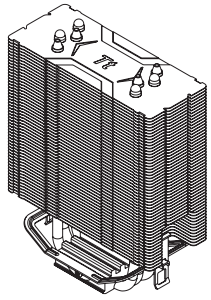
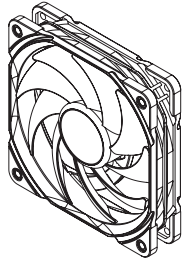


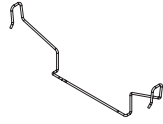
Parts list



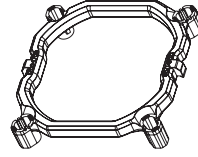
A x 1



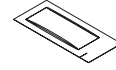
B x 1



C x 2



D x 1



E x 1

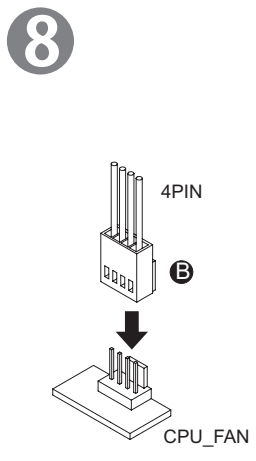
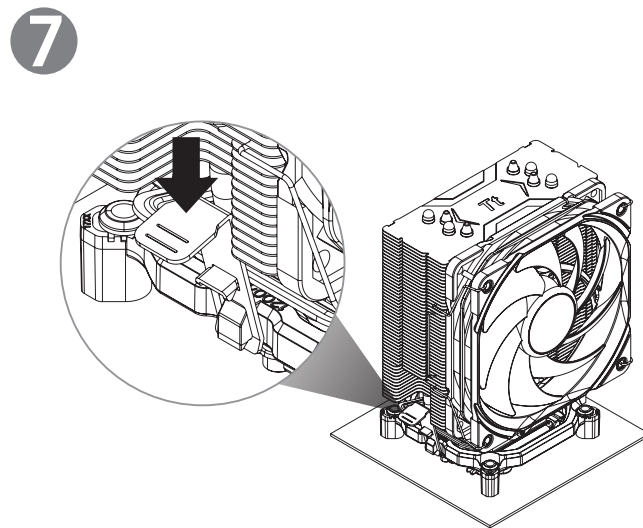
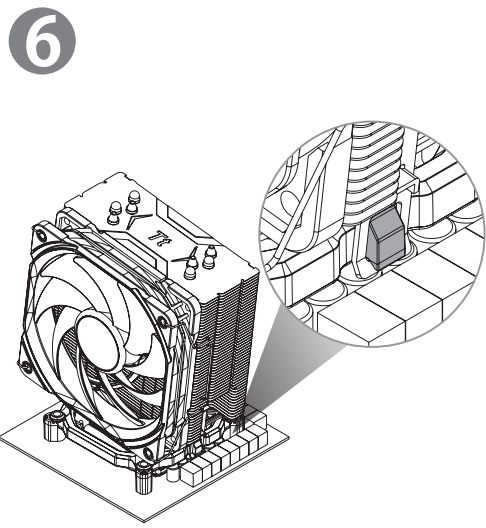
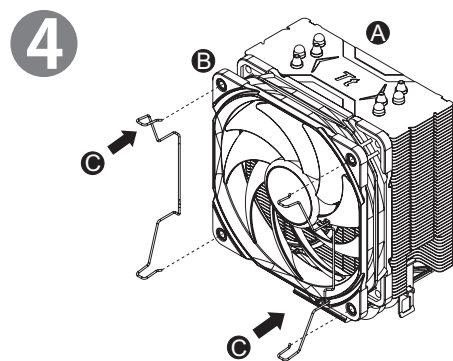
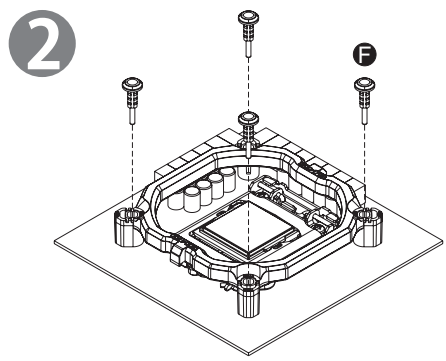
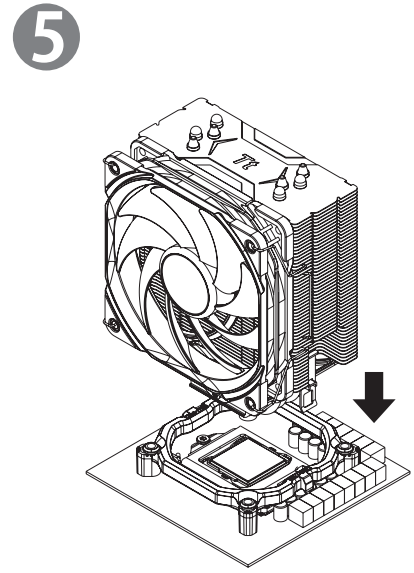
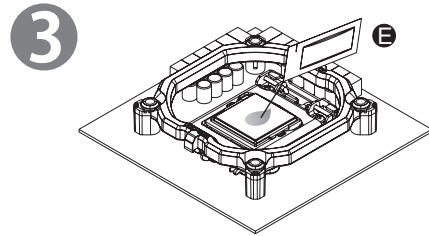
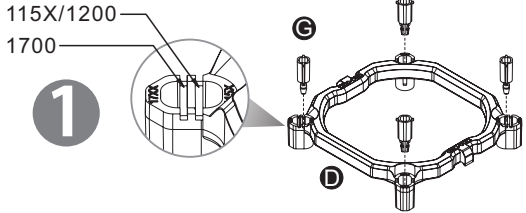


F x 4



G x 4

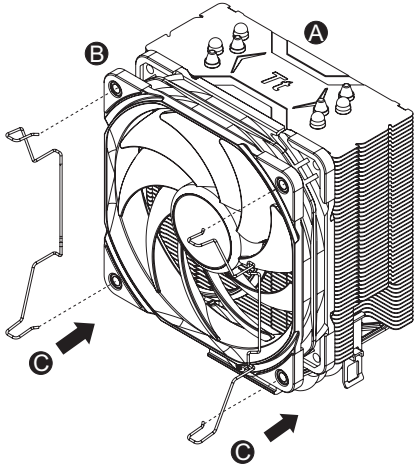
INTEL



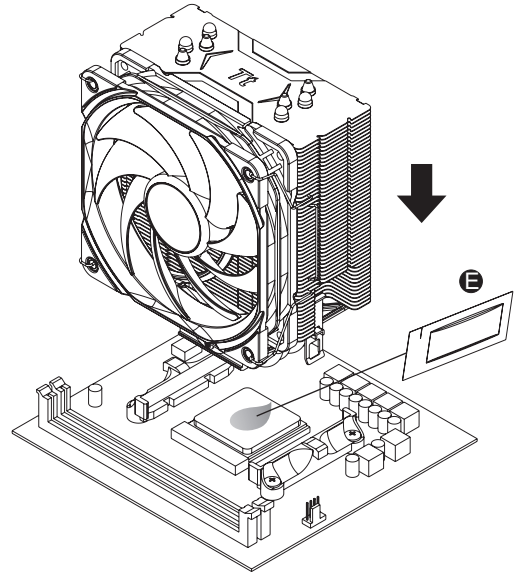
*Please refer to the second page for MB SYNC installation

AMD

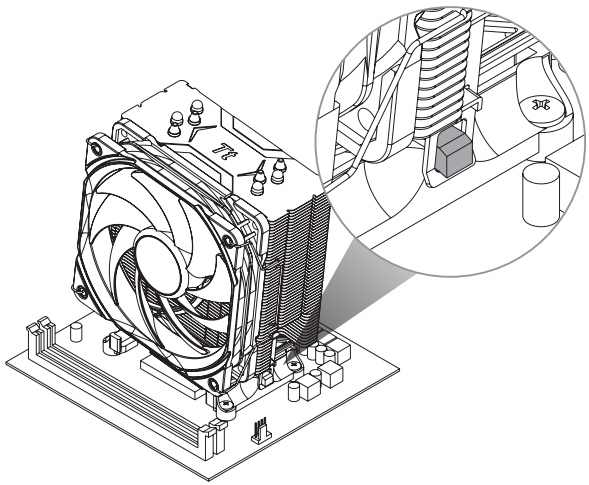
1



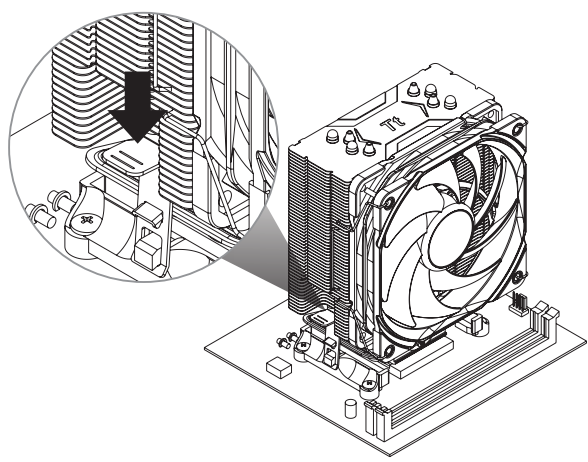
2



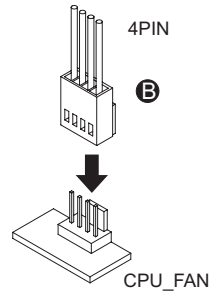
3



4



5



MB SYNC

ASUS
Aura Addressable Strip Header(s)

MSI
JRGB-strip Header(S)

GIGABYTE
AOURS RGB Fusion with Digital LEDs

CAUTION

Please power off the PC and check the Positive and Negative ends on the connector before connecting the cable to mainboard. Connecting the wrong end can damage the fans.

